

CROW WORKS



TABLE & SEATING SIZE GUIDE

888.811.CROW
SALES@CROWWORKS.COM

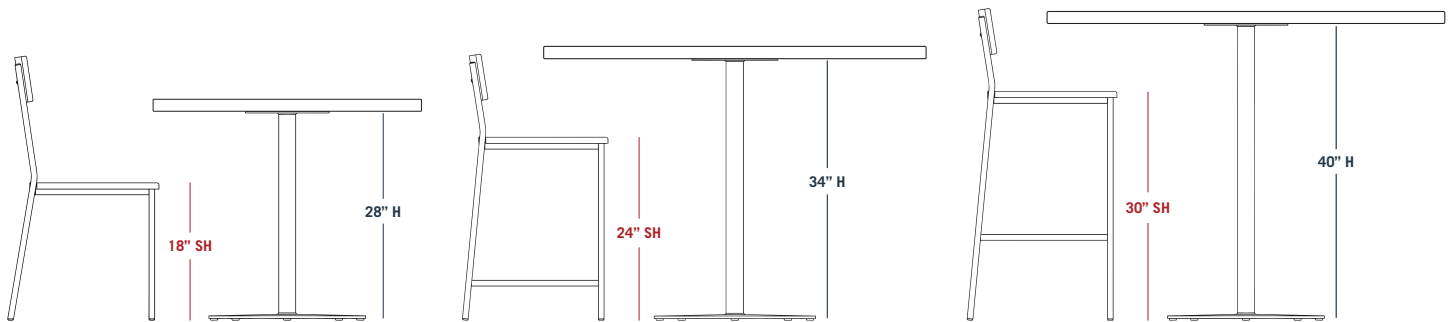


Crow Works is your one-stop-shop for all of your commercial dining room needs. From chairs, stools, and tables of various styles and heights to booths and banquettes, we have durable products that help create an elevated experience.

When planning a commercial dining room, it's important to start with some basic questions:

- How many people do you need to seat?
- How much space do you need between tables?
- How will you be able to maximize seating capacity while keeping guests uncrowded and comfortable?

All of these questions can help you determine the best layout and furniture plan for your project. Check our guidelines and tips below to make your space efficient and well-designed.



DINING HEIGHT

30" OVERALL TABLE HEIGHT

28" BASE HEIGHT

18" SEAT HEIGHT

COUNTER HEIGHT

36" OVERALL TABLE HEIGHT

34" BASE HEIGHT

24" SEAT HEIGHT

BAR HEIGHT

42" OVERALL TABLE HEIGHT

40" BASE HEIGHT

30" SEAT HEIGHT

There's some flexibility with seating and table heights, but a good rule of thumb is that the tabletop should sit about 10"-12" above the top of the seat. This ensures there is enough leg room for diners and gives them a good sitting angle.

Historically, the standards for spacing out your tables are:

- 18 inches between each occupied chair
- 42-60 inches between each square table
- 24-30 inches between corners of diagonal tables

However, with COVID social distancing restrictions, it's a good idea to keep 6' between each table unless you are using partitions to help keep diners safe.

Diagrams are for illustration purposes only.

Table heights are depicted with our standard 8/4 table tops (1-3/4" H) and floor glides (1/4" H).

You typically want to allow 18"-24" for every diner at a table. See the diagrams above and to the right for our standard table sizes and the seating capacity we recommend.

Here's a quick look at recommended total square feet per diner:

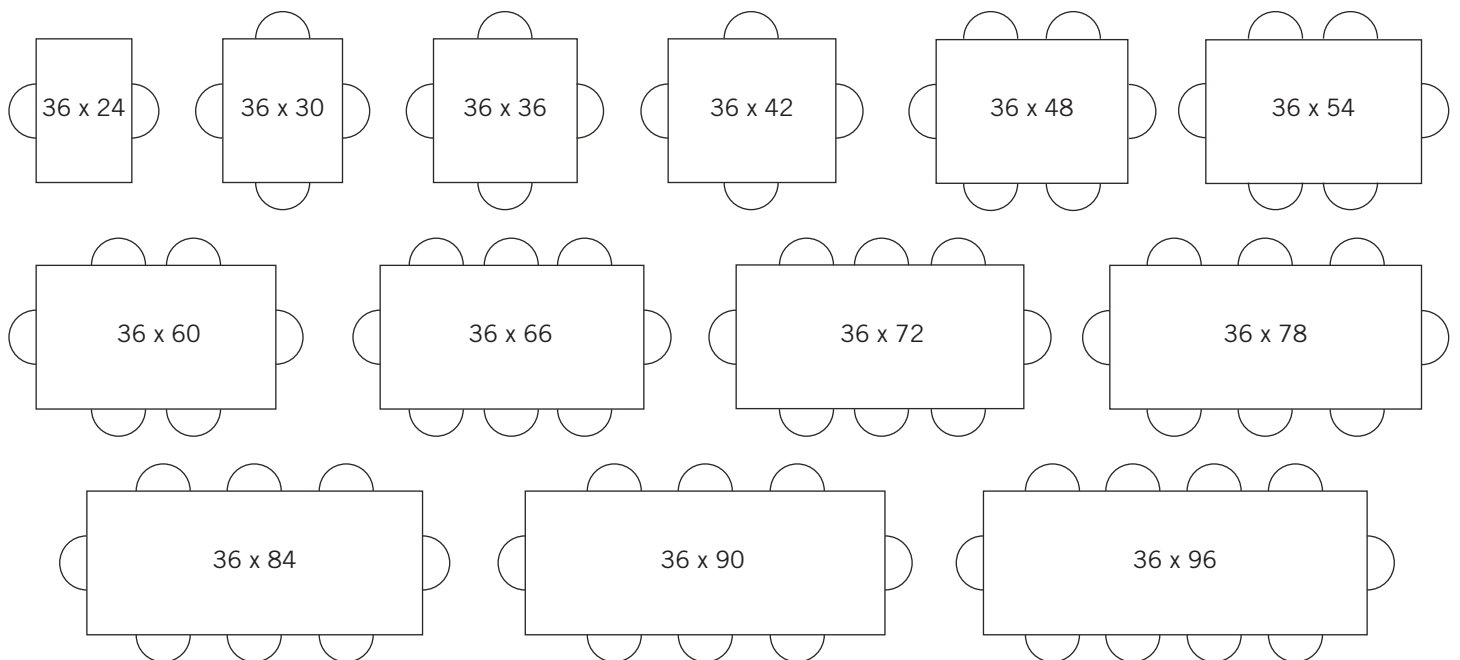
Fine Dining: 18-20 Square Feet

Full Service Restaurant Dining: 12-15 Square Feet

Fast-Casual: 18-20 Square Feet

Fast Food Minimum: 11-14 Square Feet

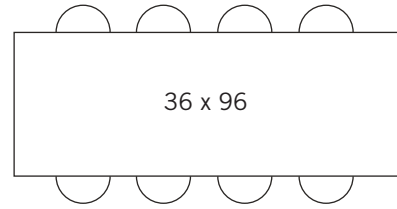
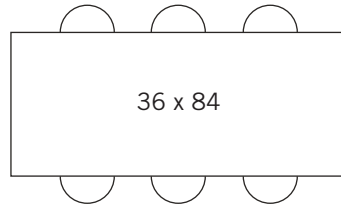
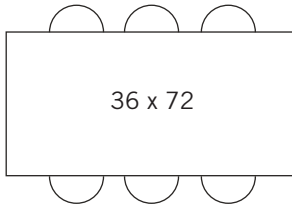
Table Service, Hotel/Club: 15-18 Square Feet



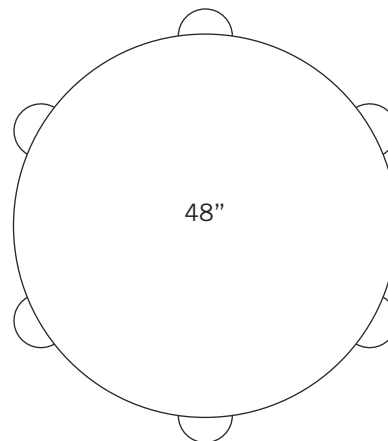
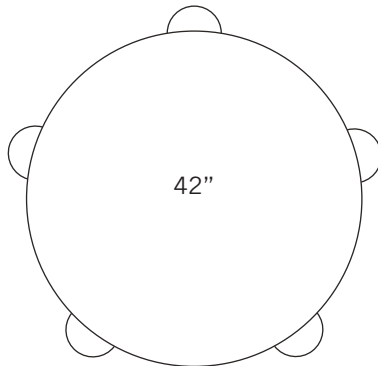
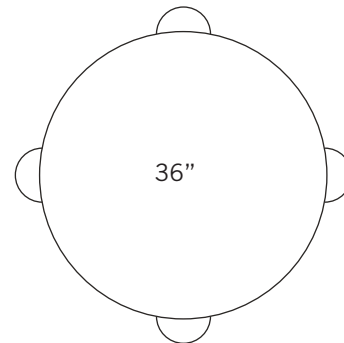
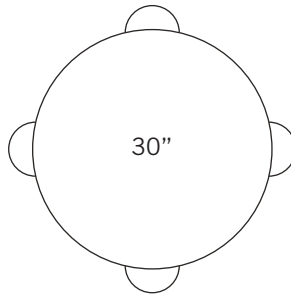
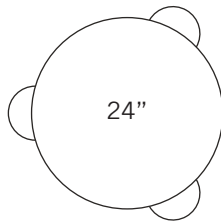
DIMENSIONS	RECOMMENDED CAPACITY
36 x 24	1-4
36 x 30	2-4
36 x 36	4
36 x 42	4
36 x 48	4-6
36 x 54	4-6
36 x 60	6
36 x 66	6
36 x 72	6-8
36 x 78	8
36 x 84	8
36 x 90	8
36 x 96	8-10

RECOMMENDED TABLE CAPACITY

No seating on ends, round tops

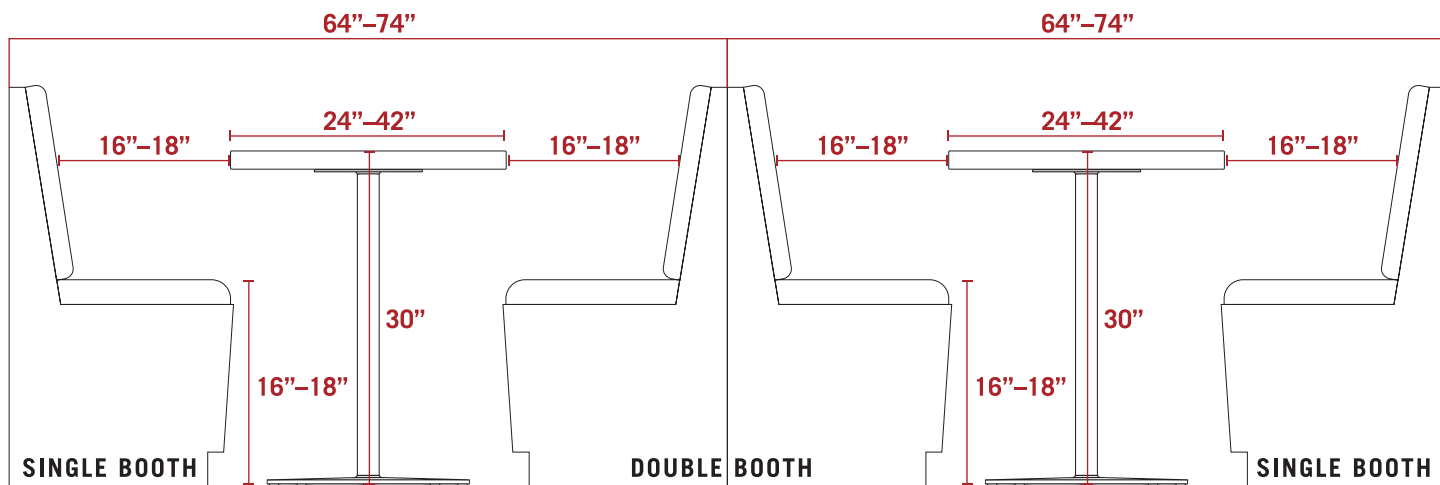


DIMENSIONS	RECOMMENDED CAPACITY
36 X 72	4-6
36 X 84	6
36 X 96	6-8



DIMENSIONS	RECOMMENDED CAPACITY
24" DIAMETER	3
30" DIAMETER	3-4
36" DIAMETER	4
42" DIAMETER	4-5
48" DIAMETER	6

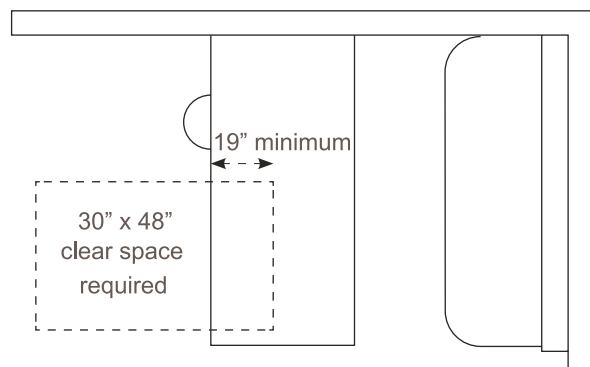
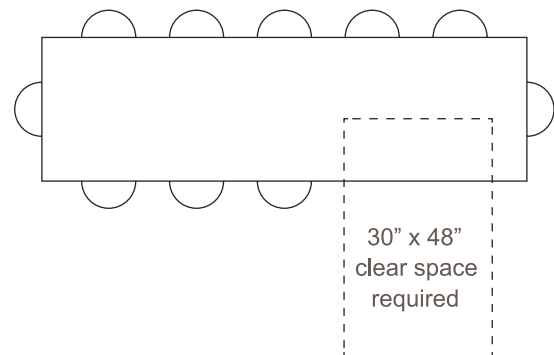
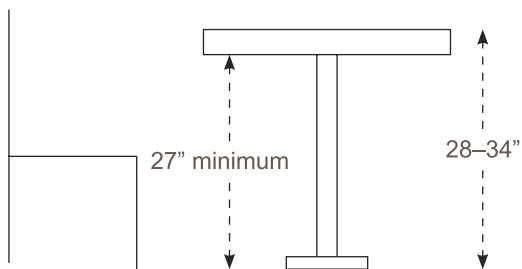
Booths are an easy way to add comfort and privacy for your guests. They also help to maximize seating and allow for more aisle space.



According to the ADA Guide for Small Businesses, “If tables are provided, such as in restaurants and snack bars, and the tables are attached to the wall or floor (fixed), then 5% of the tables or at least one (if less than 20 are provided) must be accessible, if doing so is readily achievable. Accessible seating must be provided, if doing so is readily achievable, at each accessible table to accommodate people using wheelchairs. Movable chairs can be used for these tables and the movable chairs can be removed when customers using wheelchairs use the table(s).”

ADA table clearances are as follows:

- Table height 34" maximum, 28" minimum
- Knee clearance 27" minimum (from floor to bottom of table surface)
- Clear floor area of 30" by 48" needed at each seating area
- Knee clearance extends at least 19" under the table



Whatever your furniture needs, we can help you plan and decide on the best options for your space. Contact us at sales@crowworks.com to get started!